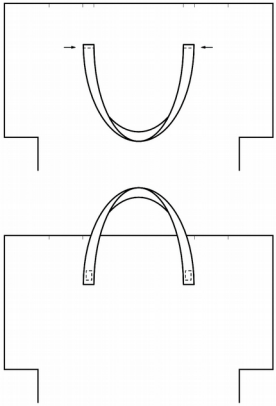


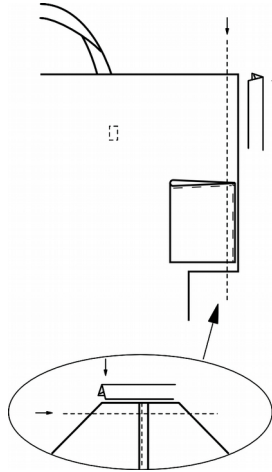
**EDC2 SLQ Bag**  
**Order of Assembly**  
 Instructions by Jimmy Eng  
 for The Edge, State Library of QLD

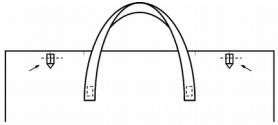
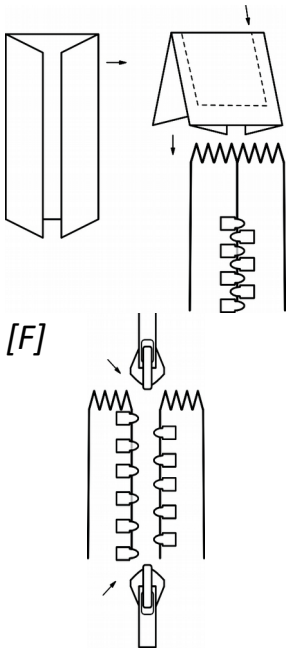
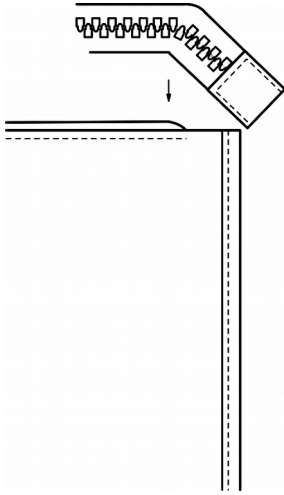
*Sewing Level: Beginner-Intermediate / Material Level: Intermediate*

**Preparation**

<b>1</b>	Handles	
<p><u>Bag right side out</u></p> <p>Face the strap ends to the opening of the bag and sew 1cm [A]</p> <p>Flip the strap over so the handle is the right way and sew them at the fold line [B]</p> <p><i>(See Sewing features section below)</i></p>		 <p style="text-align: center;">[A][B]</p>
<b>2</b>	Bag features	
<p>Sew bag pockets, tool straps and Velcro features to the main bag piece.</p> <p>Sew the inner pocket/s ready for Step 3</p>		<p><i>(See Sewing features section below)</i></p>

**Bag Construction**

<b>3</b>	Main bag	
<p><u>Bag wrong way out</u></p> <p>Sew side seams 1cm (with bias tape) [C]</p> <p>*Sew Side pockets in as you sew the Side seams. Place the pocket 3cm above the base of the bag</p> <p>Flatten bag base with side seam in the center of the sew line and sew the seam 1cm (with bias tape) [D]</p>		 <p style="text-align: center;">[C][D]</p>

4	Shoulder strap loop
<p>Fold shoulder strap loops in half and tack stitch 5mm into position. Do it for both sides [E]</p>	
 <p>[E]</p>	
5	Preparation of Zip
<p>Sew one zip end onto the zip [F]</p> <p>Split the open end of zip apart and insert the other zip head. Each zip should face inwards (towards each other) [G]</p> <p>Sew the other zip end [F]</p>	
 <p>[F]</p> <p>[G]</p>	
6	Zip and Main bag
<p>Mark the center point of the zip and match with the Main Bag piece (keep the zip slightly open)</p> <p>Stay stitch the zip to Main Bag piece 5mm. Start and stop 2.5cm away from side seams [H]</p>	
 <p>[H]</p>	

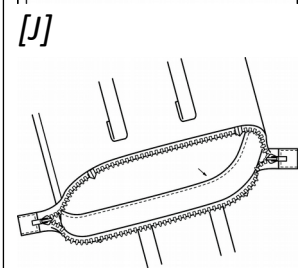
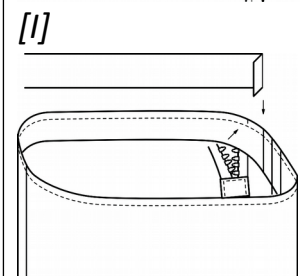
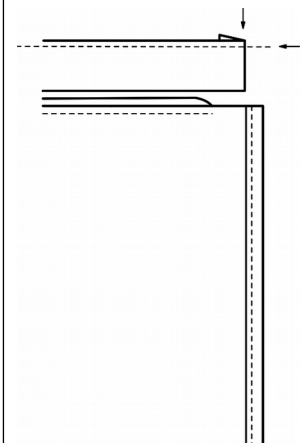
**7** | Casing and Zip finish

Fold the end of the Metal Frame casing 1.5cm and match to a Side seam, the Zip will be between the bag and casing pieces [I]

Keeping the Zip ends away from the stitch line, sew 1cm around the entire opening with the casing as well [J]

Flip over casing and sew down onto Main Bag piece 1cm. You can either lay it flat and sew down or fold the edge over 1cm and sew down [K]

Bag out the bag (turn Bag right side out)

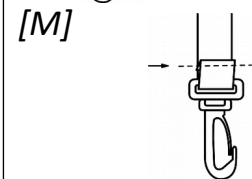
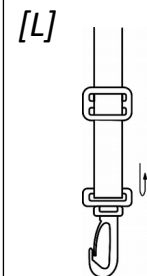
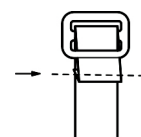


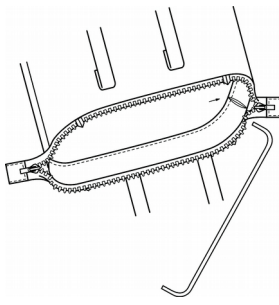
**8** | Shoulder strap

Loop the webbing into the centre post of Adjustable Slide 3cm, fold end over 1cm and sew down [L]

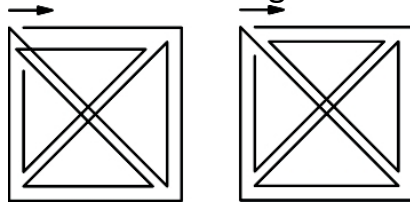
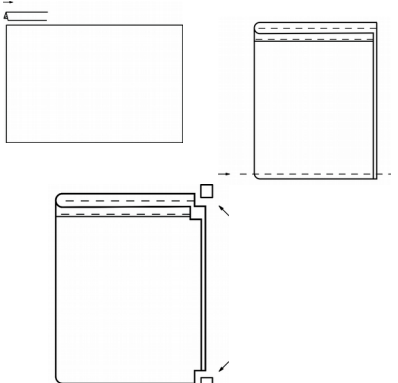
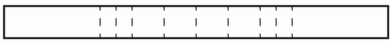
Insert one Bag clip to the webbing and thread webbing into the Adjustable Slide [M]

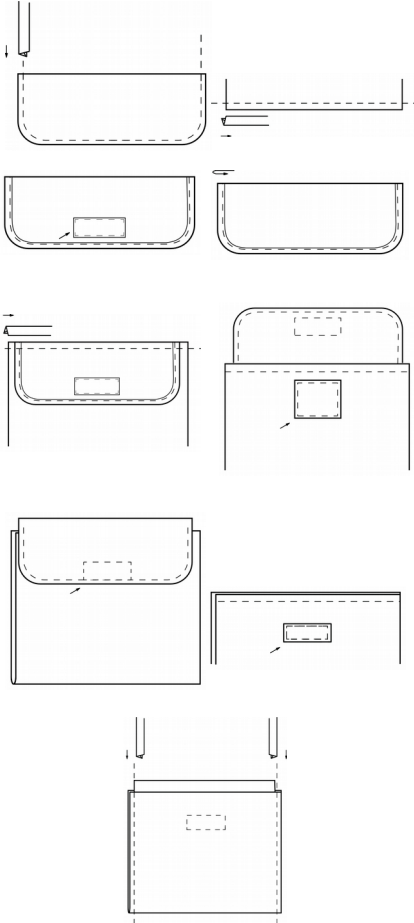
Loop the webbing end through the other Bag clip 4cm, fold end over 1cm and sew down [N]



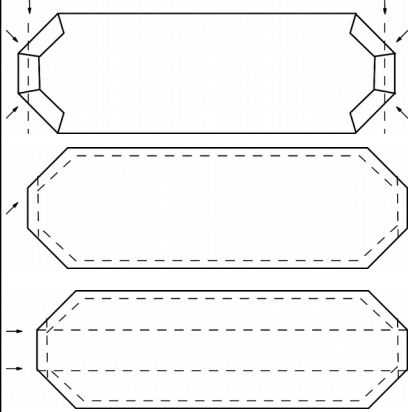
9	Bag Frame	
Slide bag frame into the casing [O]		 <p>[O]</p>
*	Optional pieces	
Shoulder strap padding Handle keeper		(See Sewing features section below)

### Sewing Features

Bag strap	<ul style="list-style-type: none"> <li>- Use a lighter to singe the ends of the bag strap to seal</li> <li>- Direction of sewing</li> </ul> 
<p>Inner pocket</p> 	<ul style="list-style-type: none"> <li>- Sew pocket opening with Bias tape 1cm, fold over to wrong side and top-stitch down 1cm</li> <li>- Turn pocket wrong way out and sew bottom 1cm (with no bias tape)</li> <li>- Turn pocket right way out and top-stitch bottom seam 1cm</li> <li>- Cut 1cm piece from the side seam top and bottom as it is too thick to sew over when you sew the Main Bag side seam</li> </ul>
<p>Tool strap</p> 	<ul style="list-style-type: none"> <li>- Mark a horizontal line on the Main Bag piece of where you'd like the strap to be. Keep in mind around 10cm of the beginning and end of the strap will be where the Side of the bag is.</li> <li>- Sew a line down the strap on one side to anchor the strap</li> </ul>

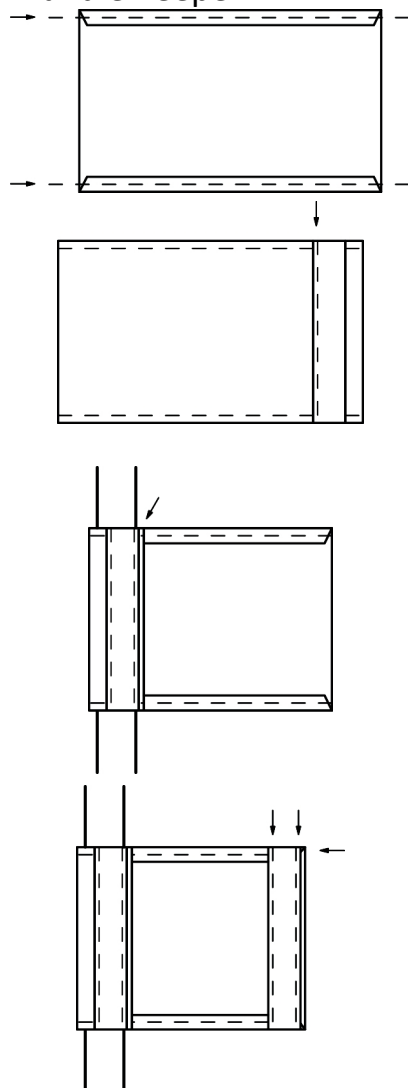
	<ul style="list-style-type: none"> <li>- To get accurate fitting tool holders place your first tool under the trap at the sewn side and mark where the strap meets the bag. Repeat marking the strap line like this for the length of the Tool strap</li> <li>- Sew the marked sections</li> </ul>
<p>Velcro</p> <p>ie Hook and Loop tape</p> <p>Hook = scratchy side</p> <p>Loop = soft side</p>	<p><u>Main Bag</u></p> <ul style="list-style-type: none"> <li>- The scratchy side of the Velcro is sewn on the Main Bag piece</li> <li>- The softer side of the Velcro is sewn on the Patch/Outer pocket bag</li> </ul> <p><u>Outer Pocket</u></p> <ul style="list-style-type: none"> <li>- The scratchy side of the Velcro is sewn on the Main Bag and the front of the Outer pocket</li> <li>- The softer side of the Velcro is sewn on the back of the Outer pocket and the flap of the pocket</li> </ul>
<p>Outer pocket with flap</p> 	<p><u>Flap</u></p> <ul style="list-style-type: none"> <li>- Sew Bias tape to flap edge 1cm</li> <li>- Fold Bias tape edge to wrong side and top-stitch down 1cm</li> <li>- Mark the centre of the curved edge and sew 4cm of Velcro (softer side) to edge</li> </ul> <p><u>Pocket</u></p> <ul style="list-style-type: none"> <li>- Place raw Flap edge onto Back pocket opening (side that faces the Bag). Sew both pocket openings separately with Bias tape 1cm, fold over to wrong side and top-stitch down 1cm</li> <li>- Mark centre top of Back pocket side (side that faces the Bag) and sew Velcro (softer side) to edge of pocket</li> <li>- On Front side fold the Flap down so that 1cm of the Flap fold sticks above the Pocket opening, mark where the (softer) Velcro sits and sew the other Velcro (scratchy side)</li> <li>- Turn Pocket wrong way out and sew side seams 1cm (with Bias tape). Turn right way out.</li> </ul>

### Shoulder strap padding



- Fold the diagonal sides and then the strap opening over 1cm and top-stitch the strap opening 5mm. Do for both pieces
- Fold the long sides over 1cm and align them on top of each pattern piece and top-stitch 5mm
- Sew from one opening edge to the other

### Handle Keeper



- Fold the long sides over 1cm and top-stitch 5mm
- With the fabric right way up sew Velcro (scratchy side) 1cm away from a raw edge
- Tuck a handle strap in between the Keeper, fold the 1 cm raw edge under and sew down
- Tuck the last raw edge over 1cm and sew Velcro (soft side) on next to it