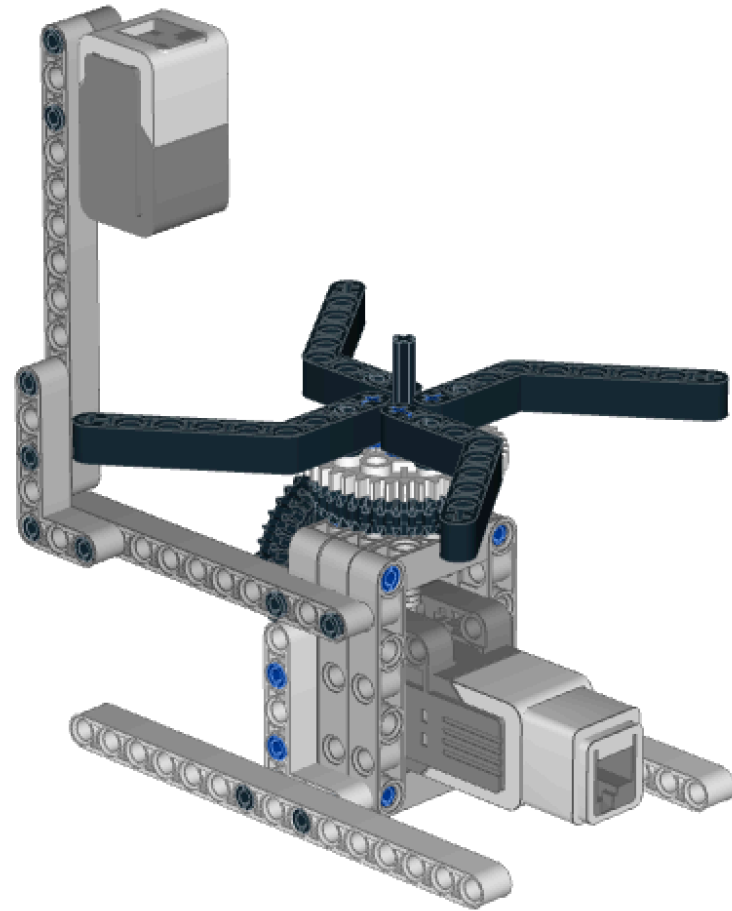
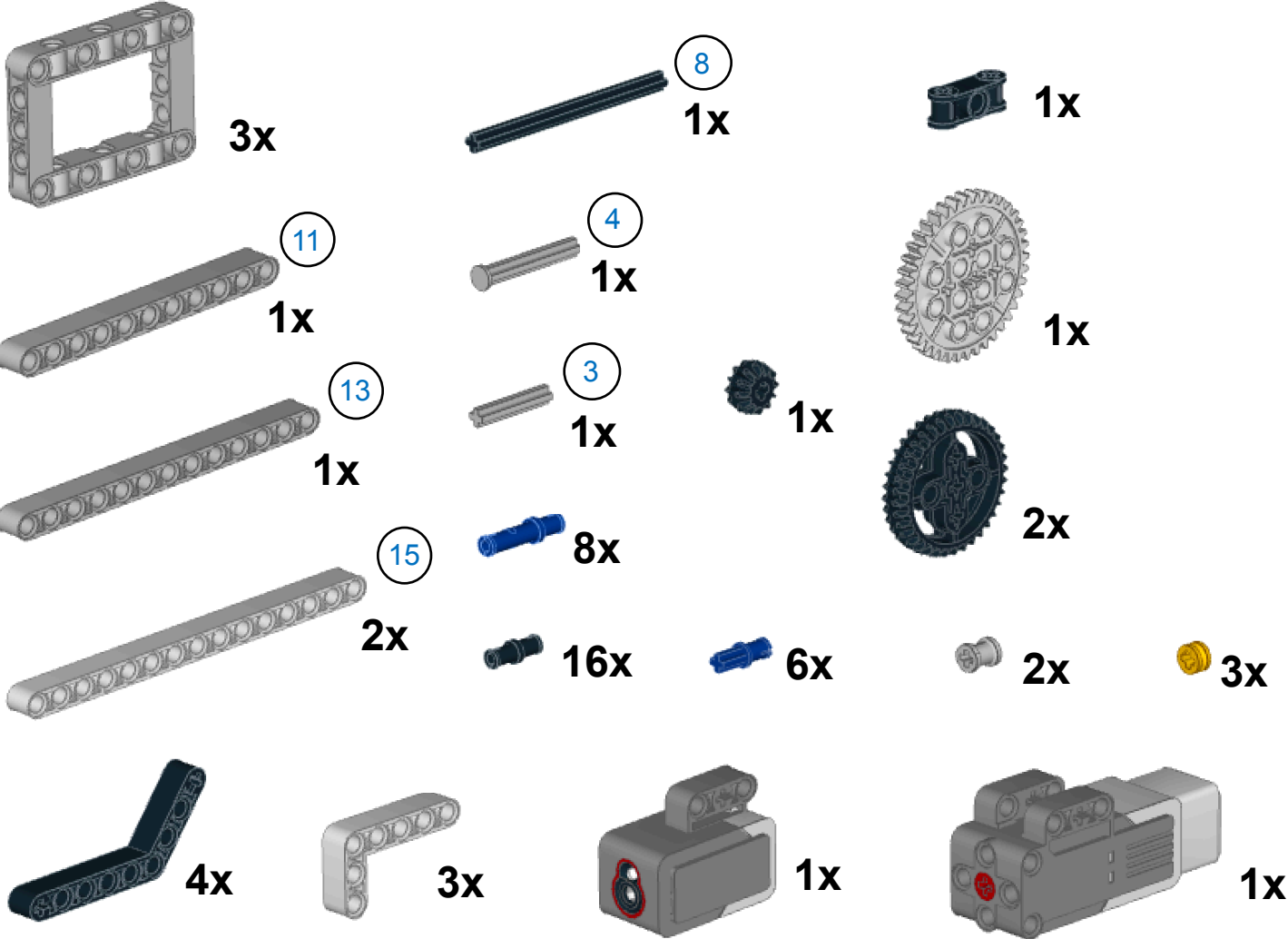
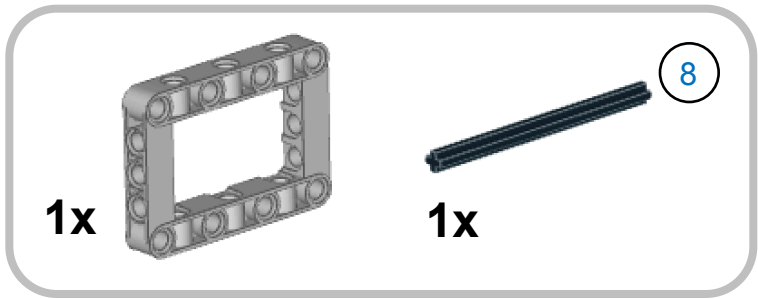


LEGO Mindstorms Phonograph Player

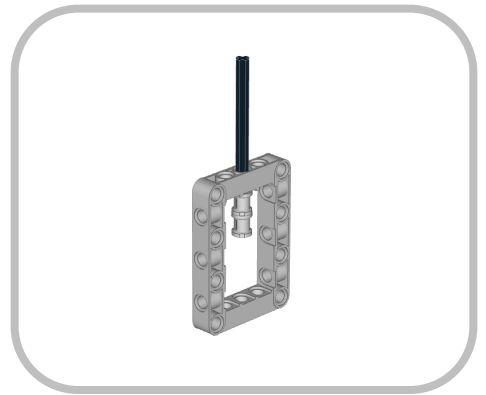
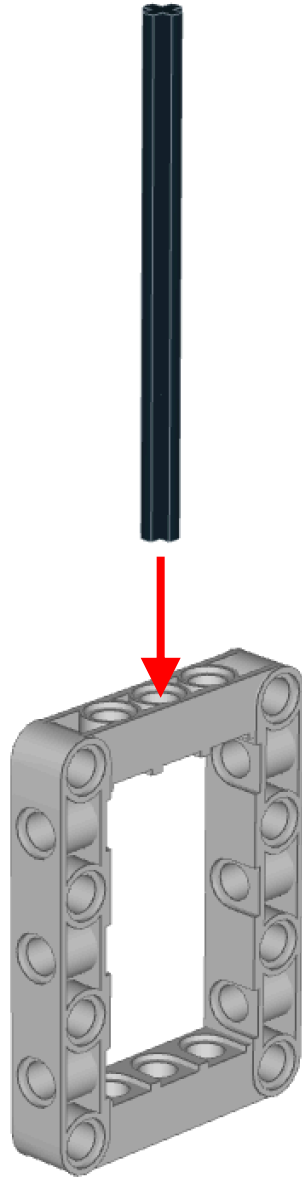


Parts Required





1



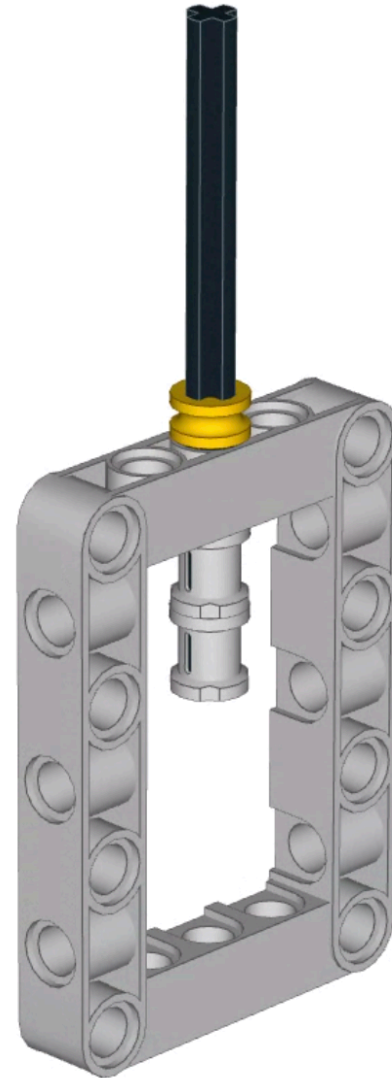


2x



1x

2



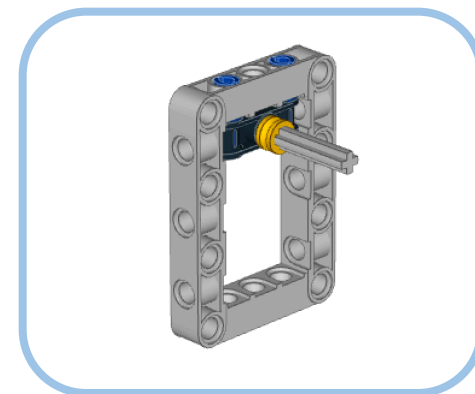
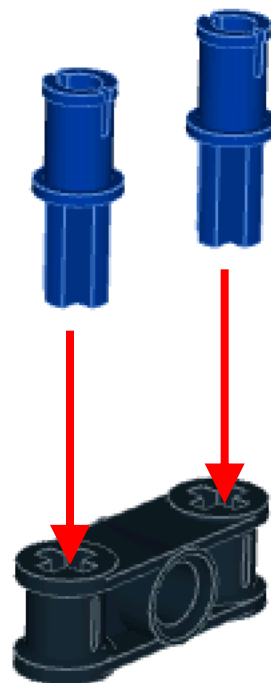


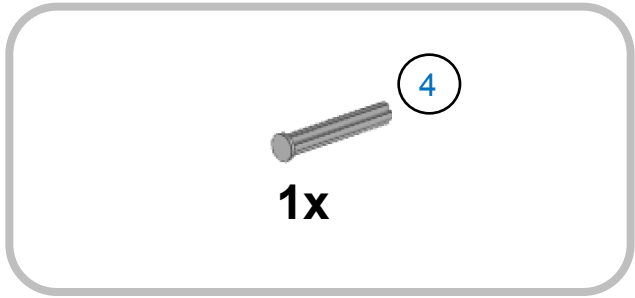
1x



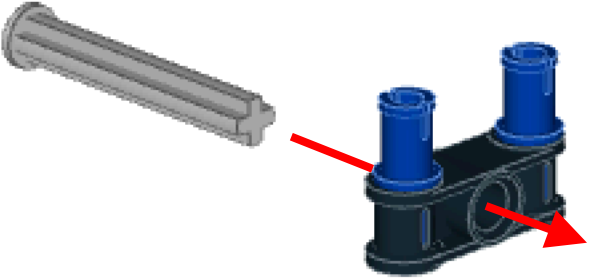
2x

3





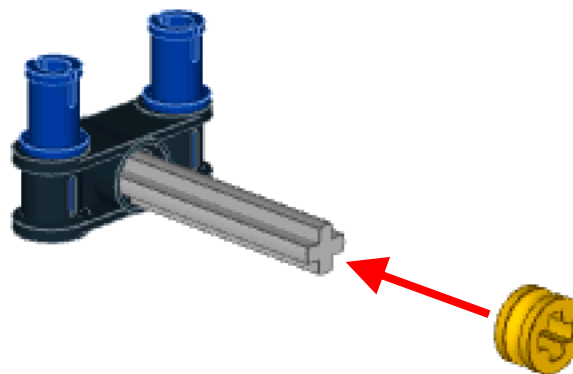
4

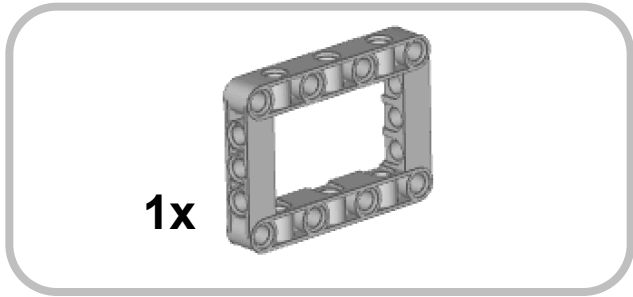




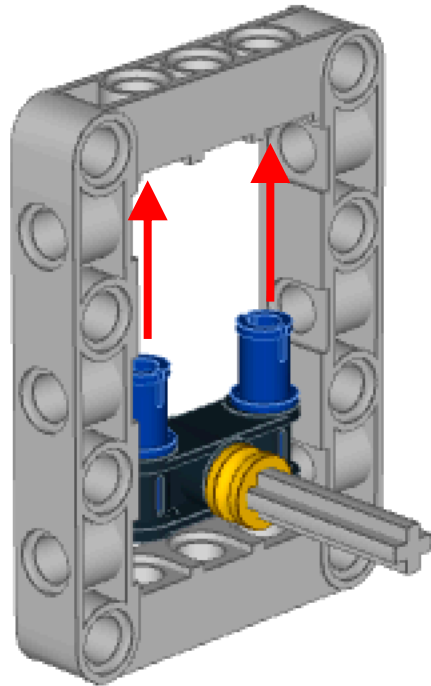
1x

5



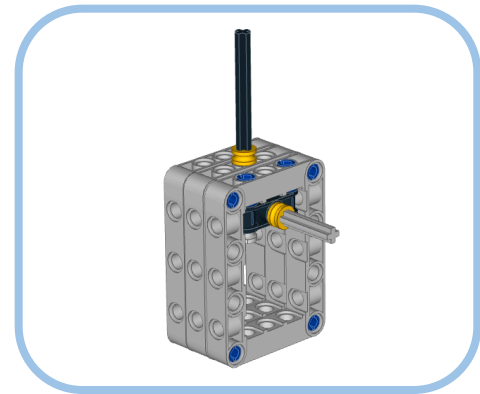
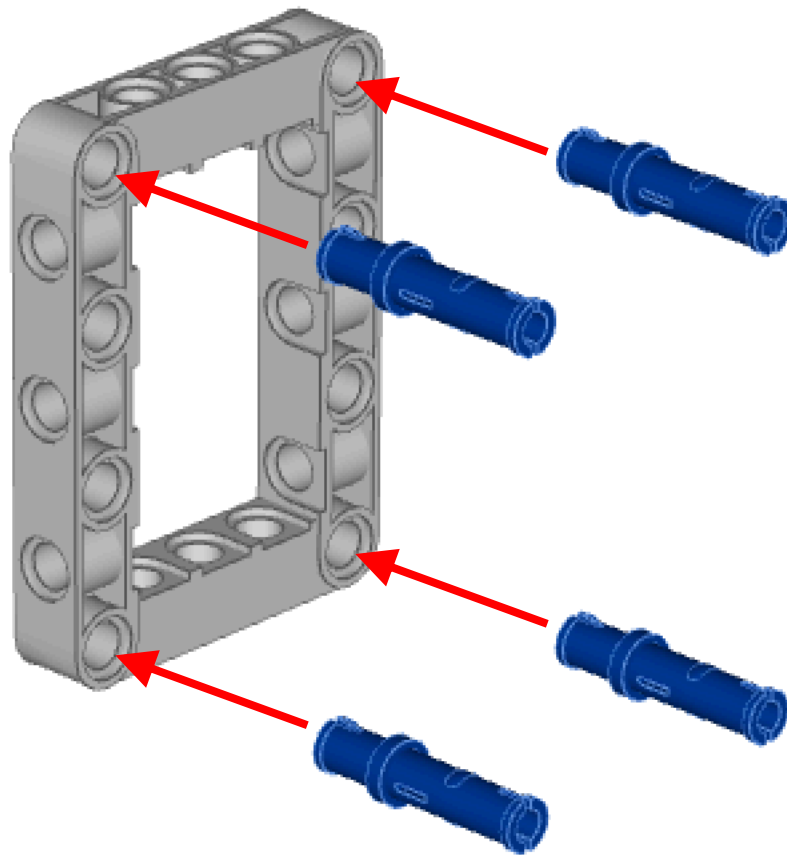


6

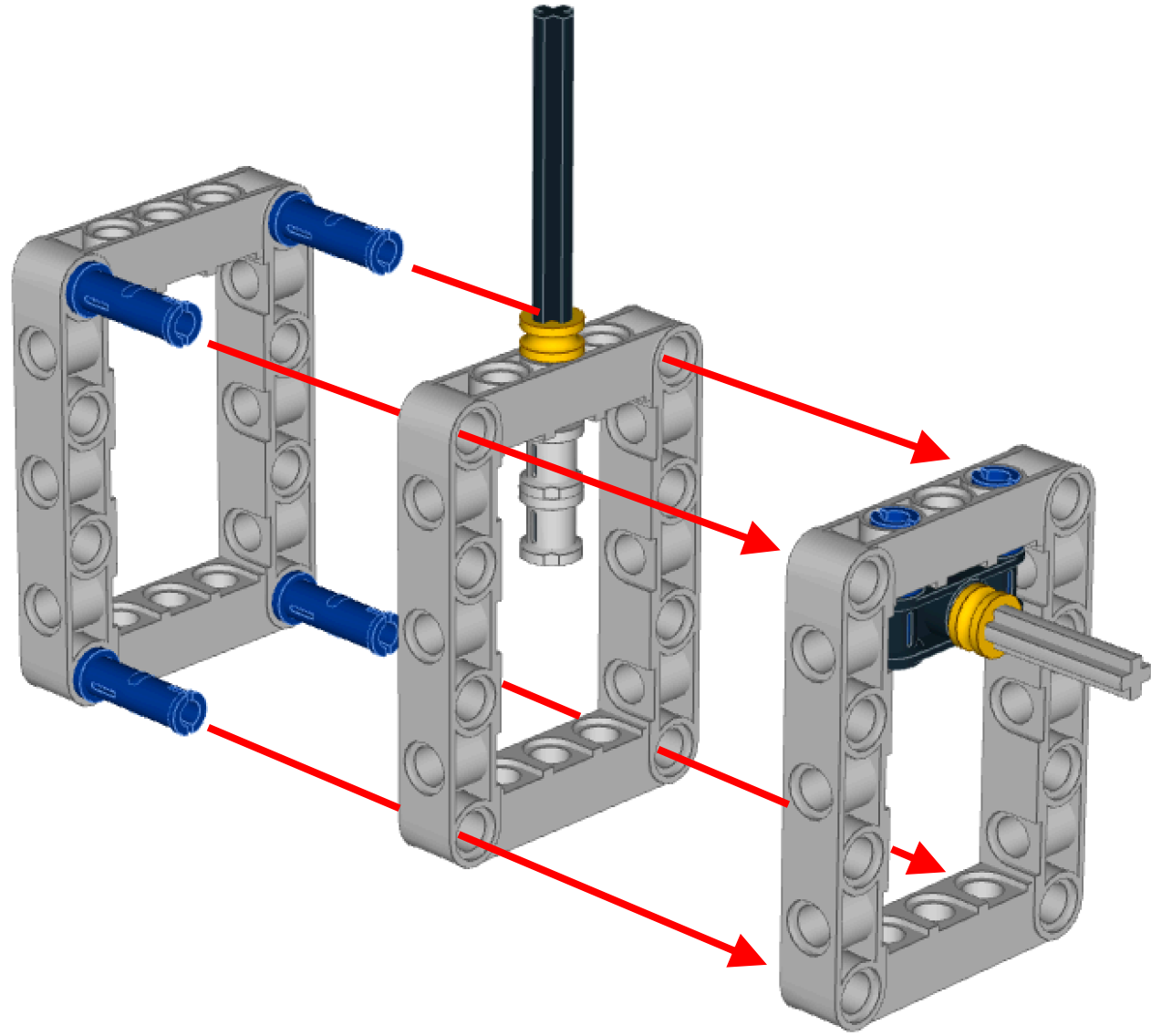


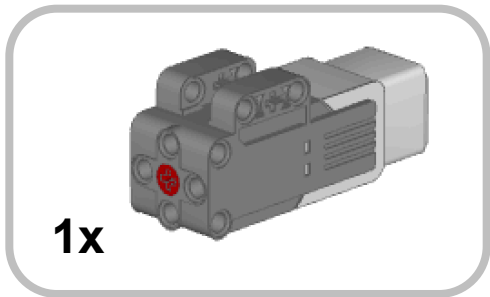


7

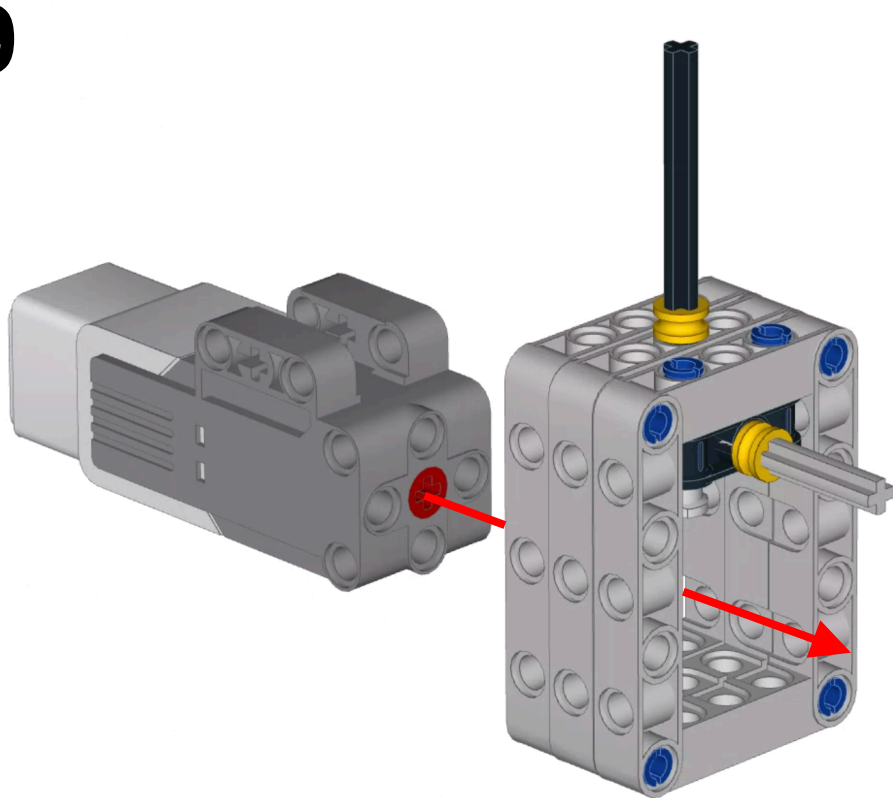


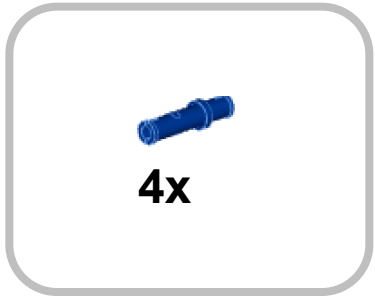
8



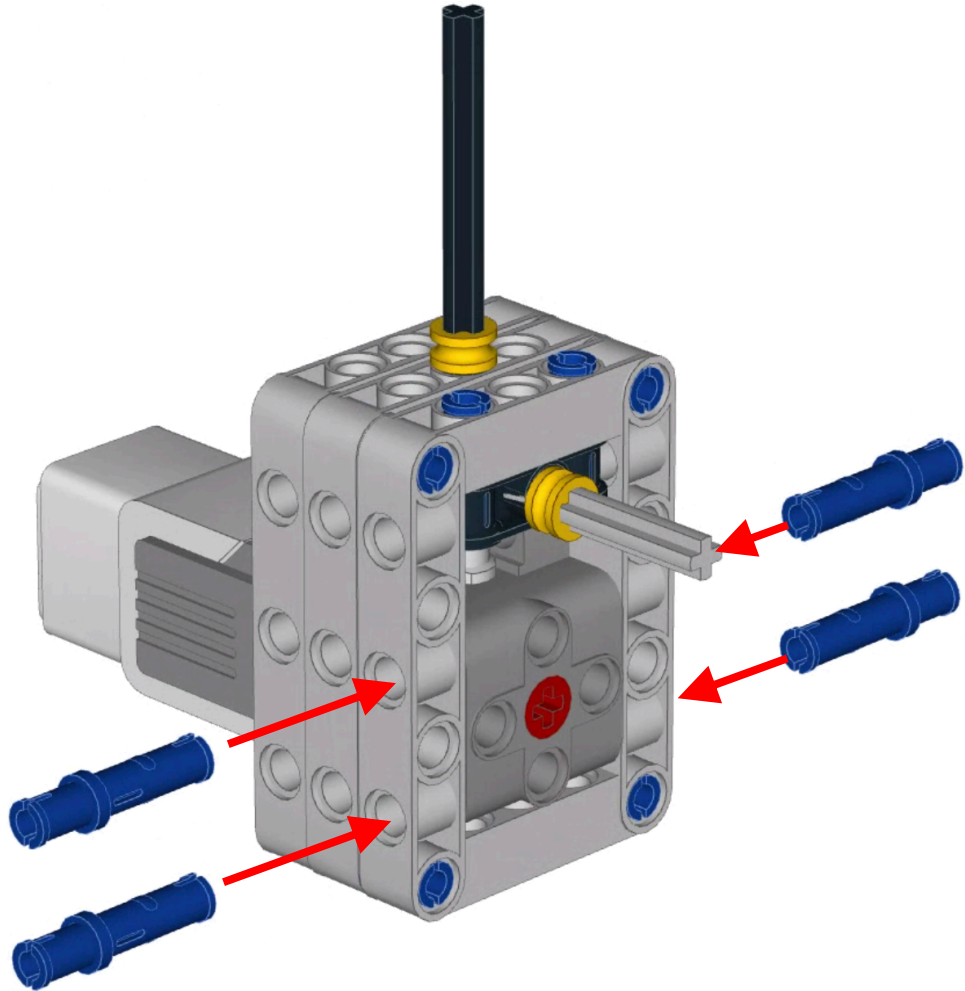


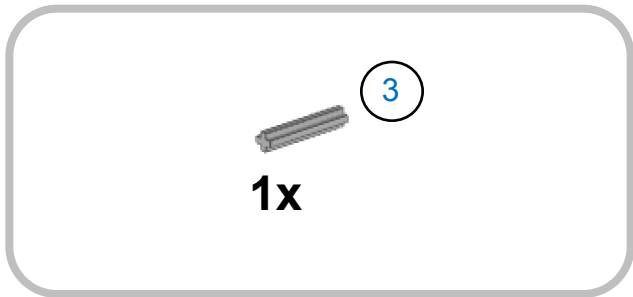
9



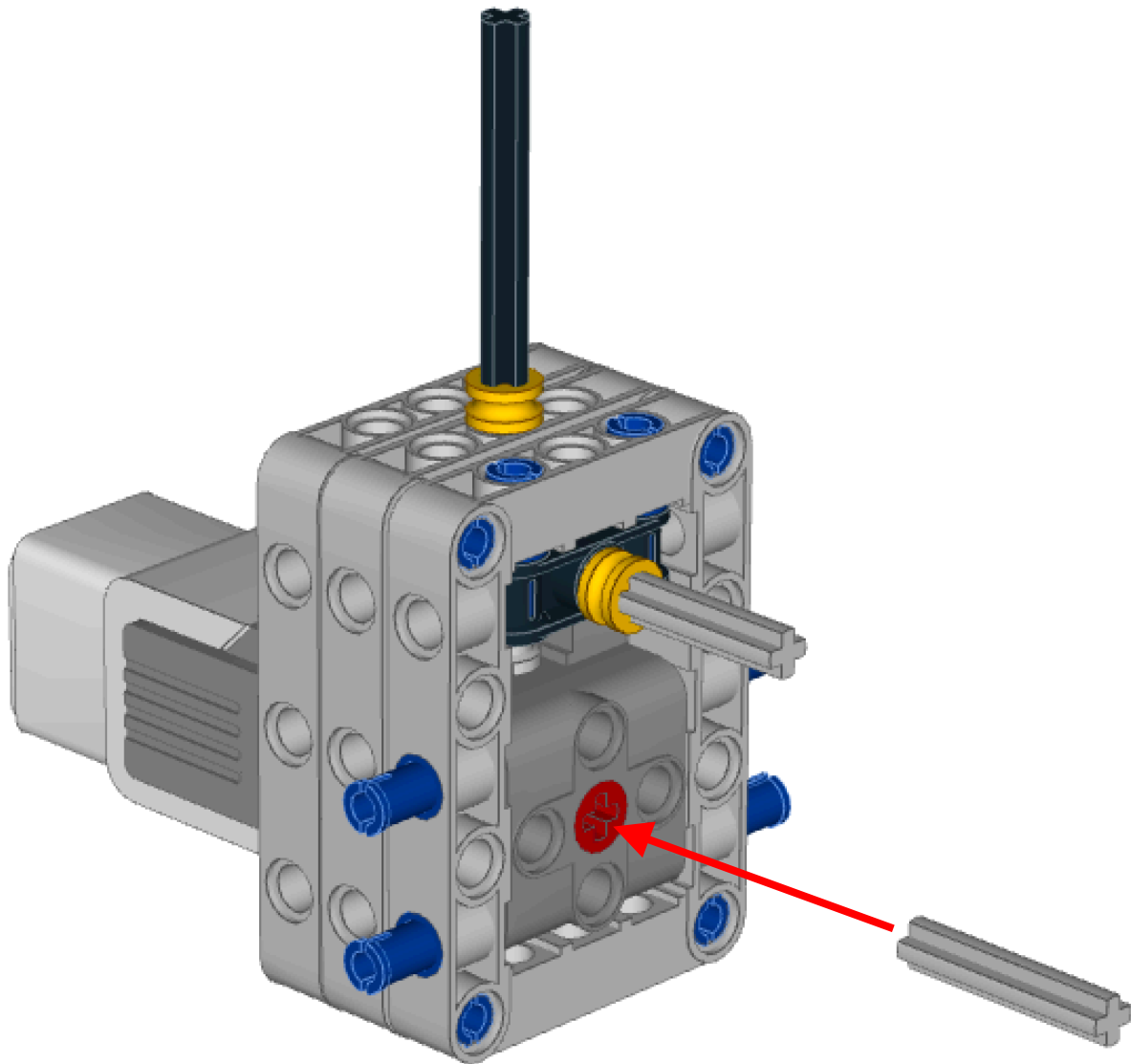


10





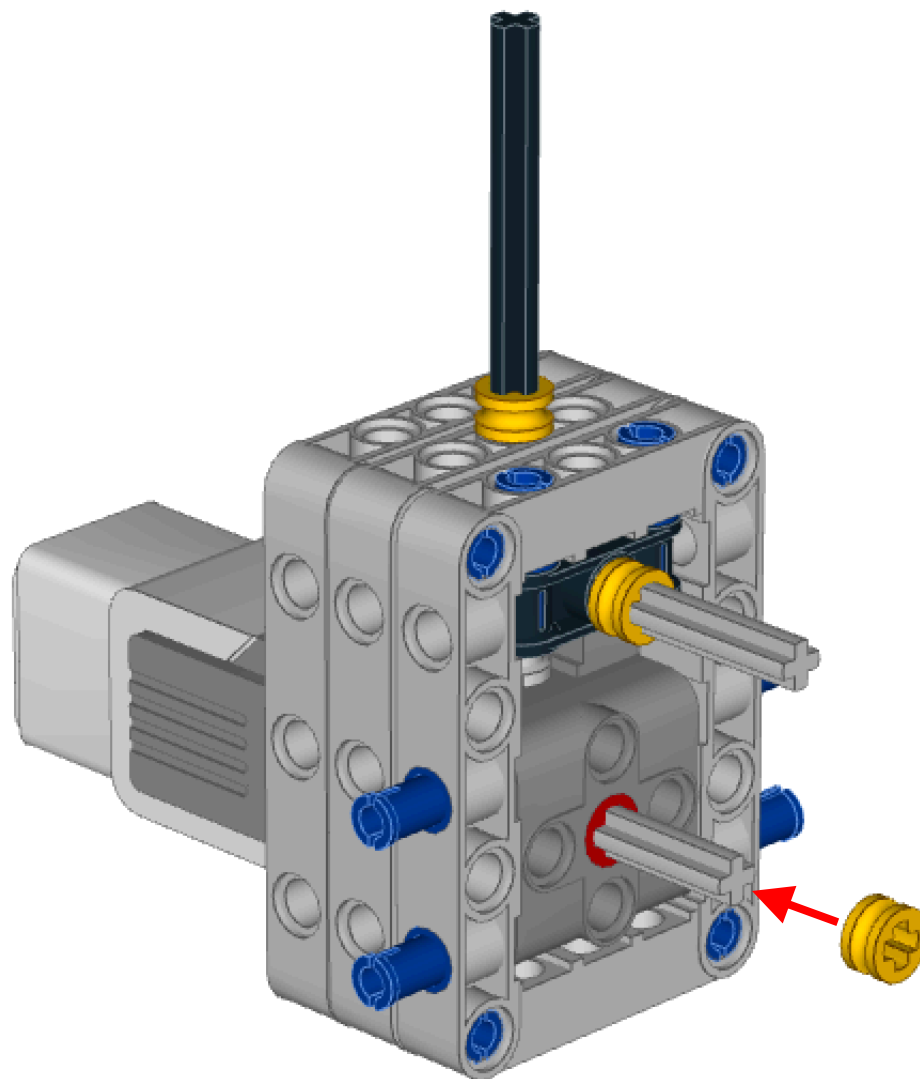
11





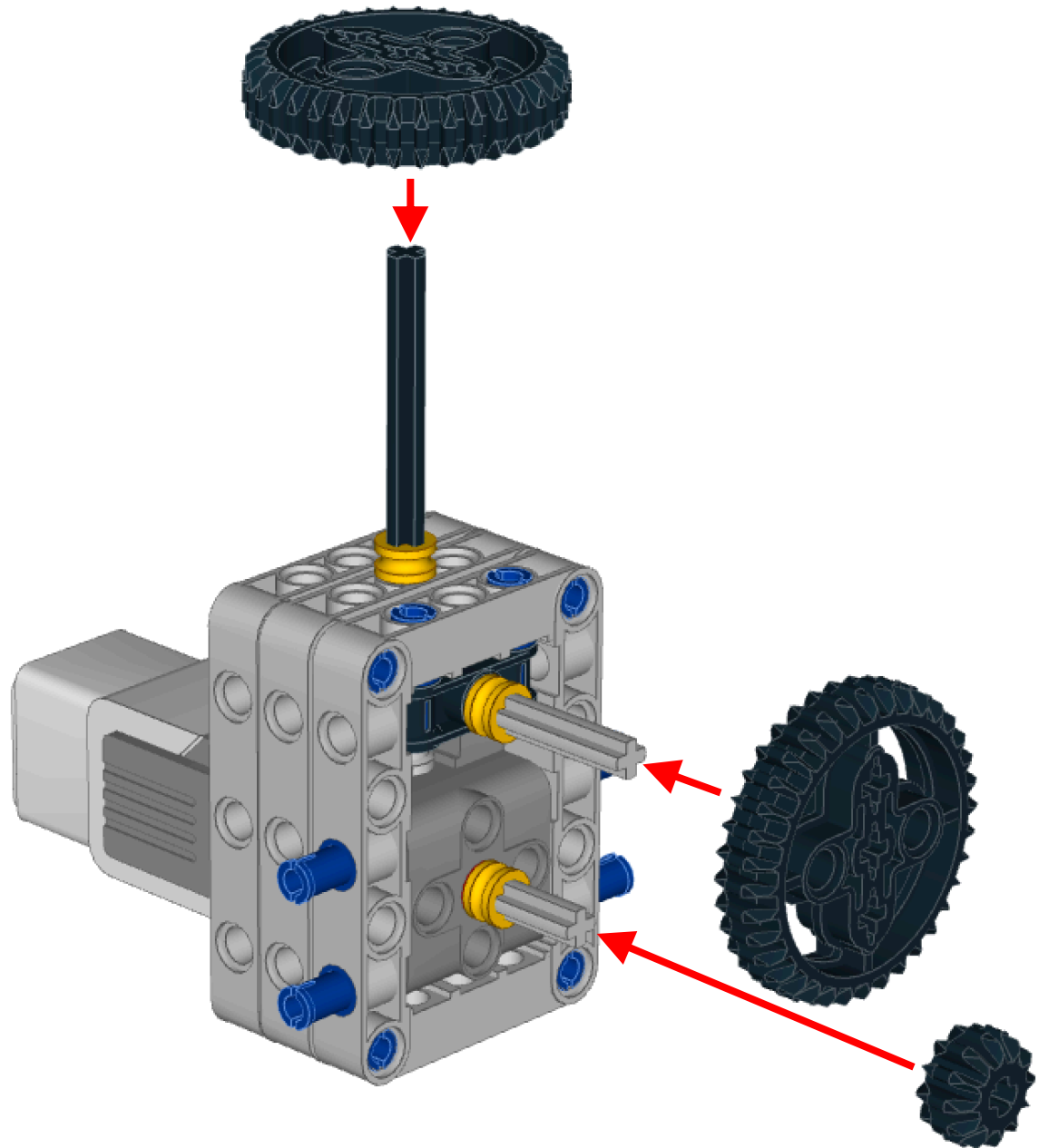
1x

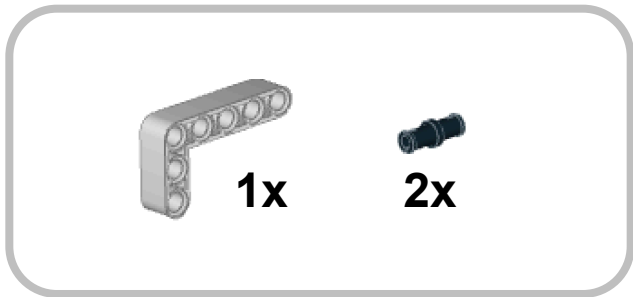
12



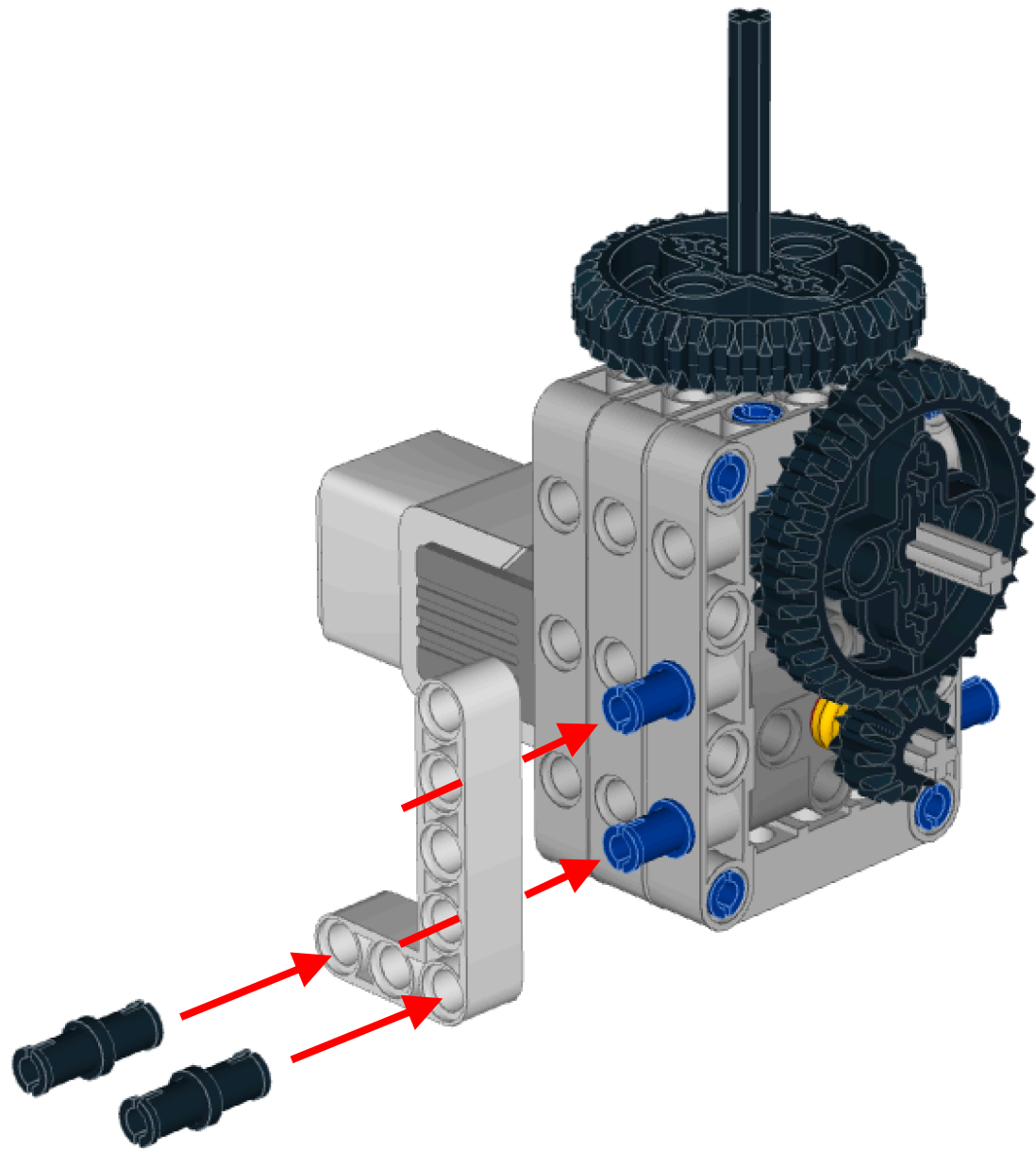


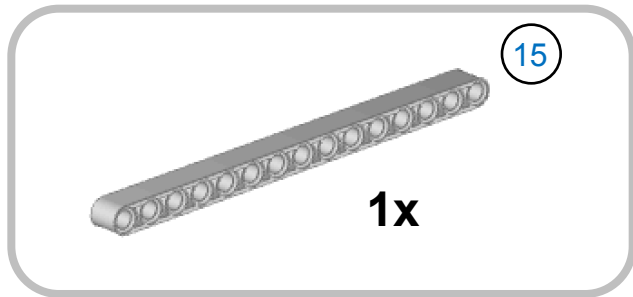
13



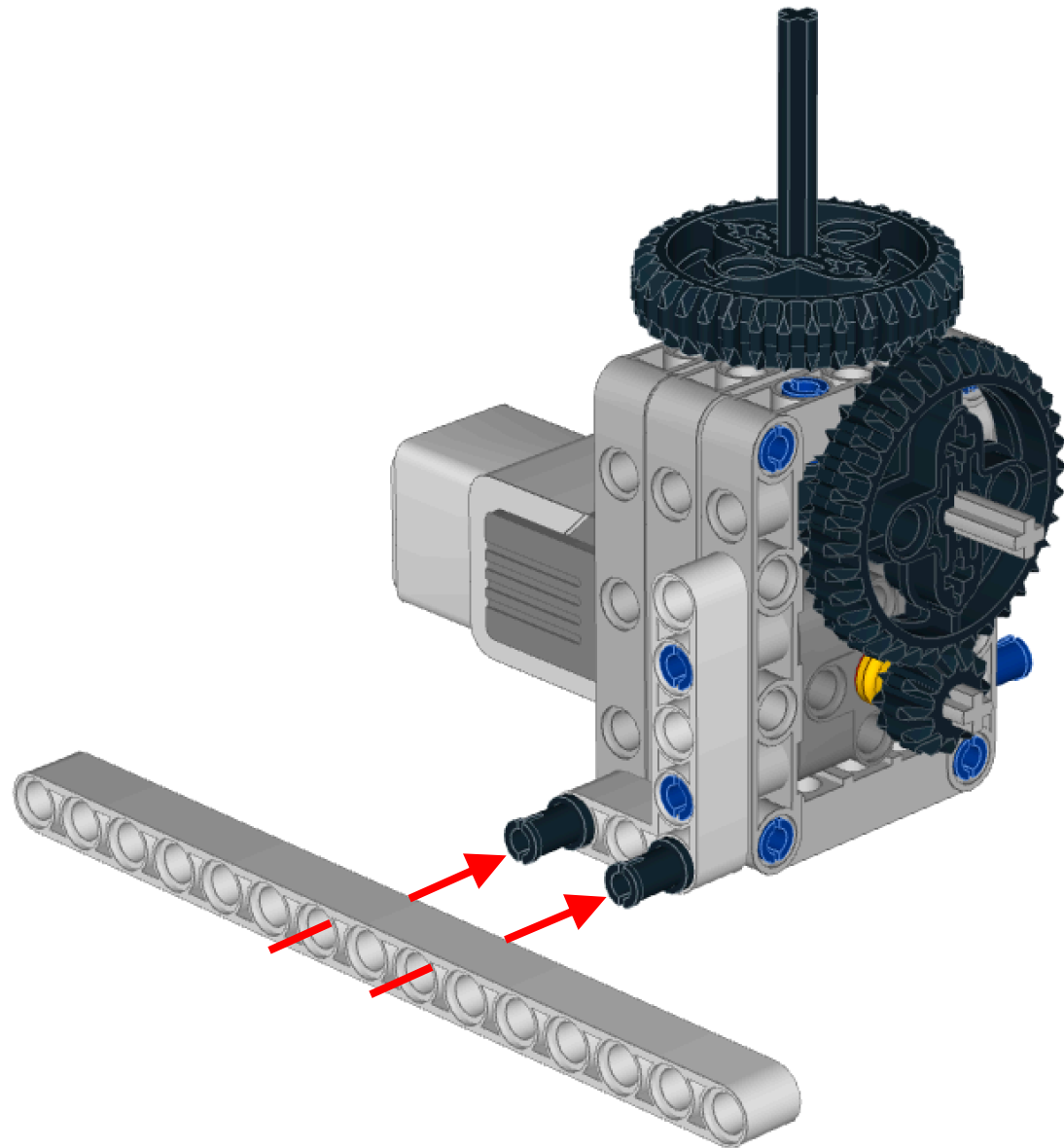


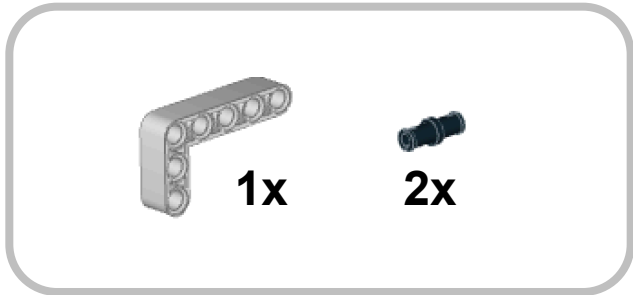
14



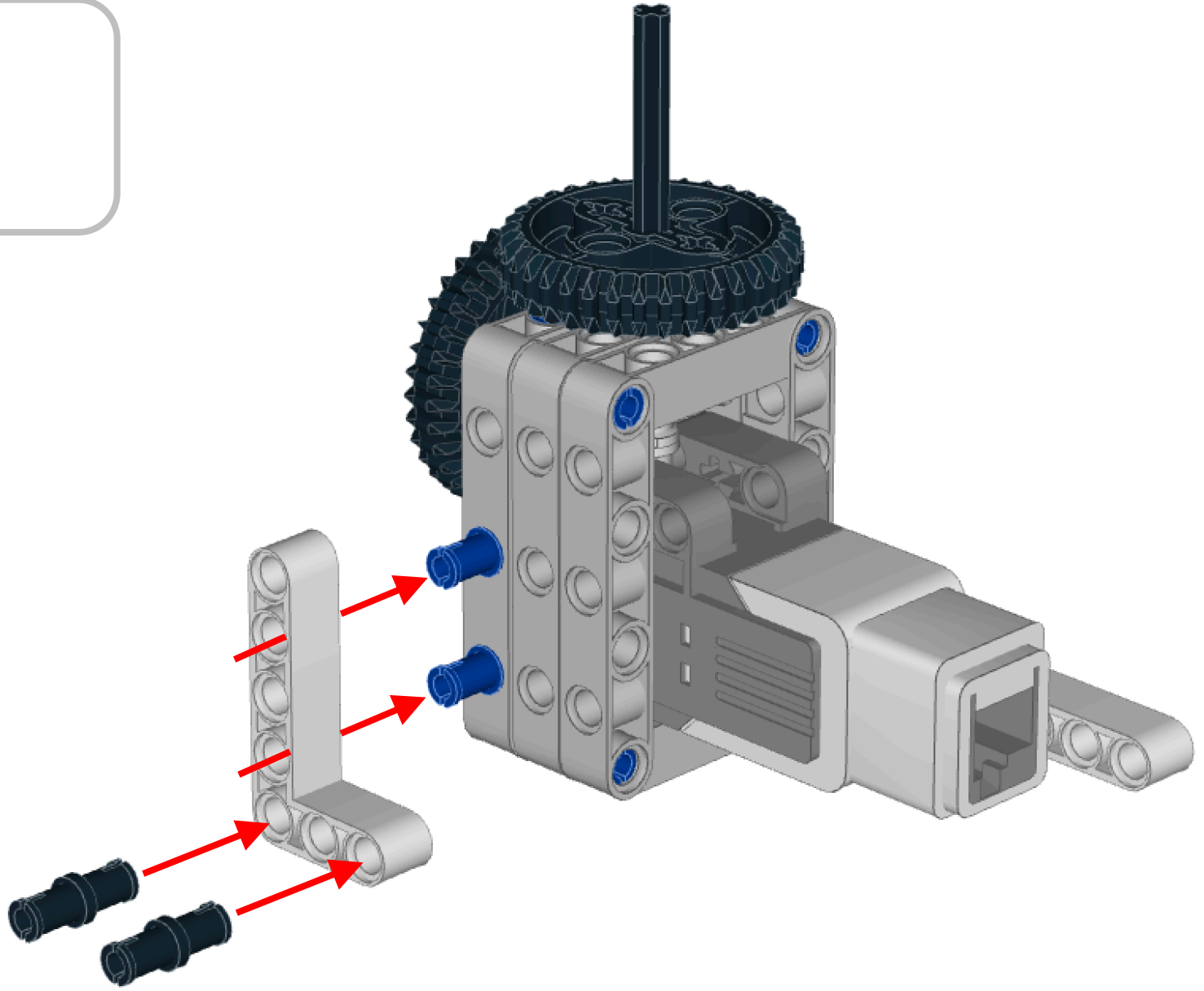


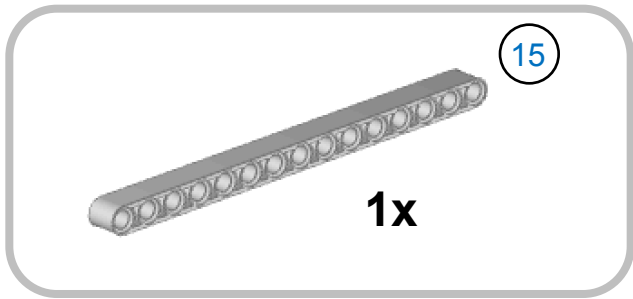
15



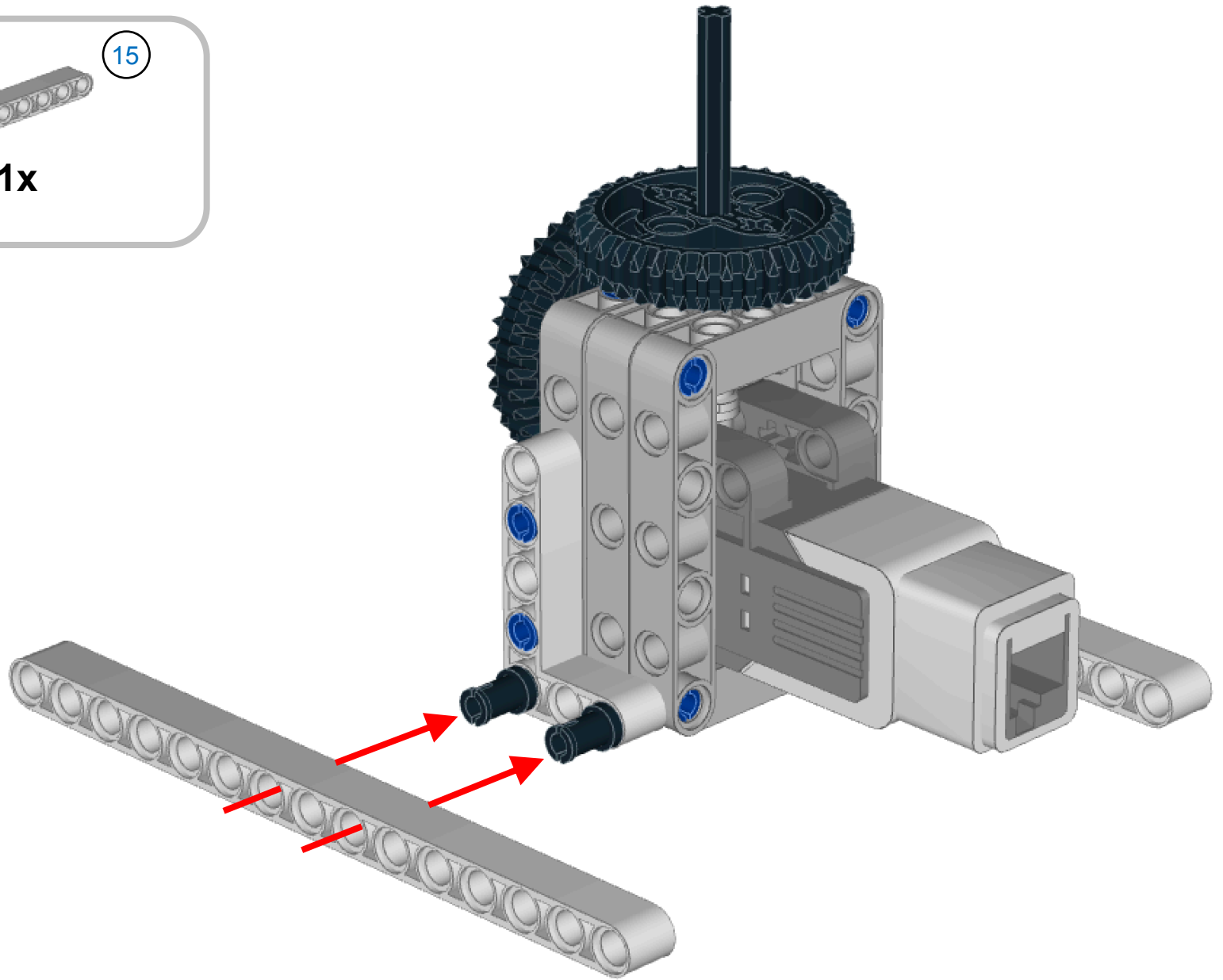


16

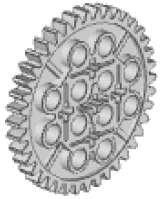




17



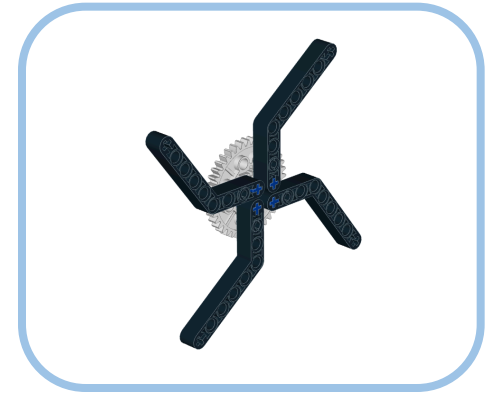
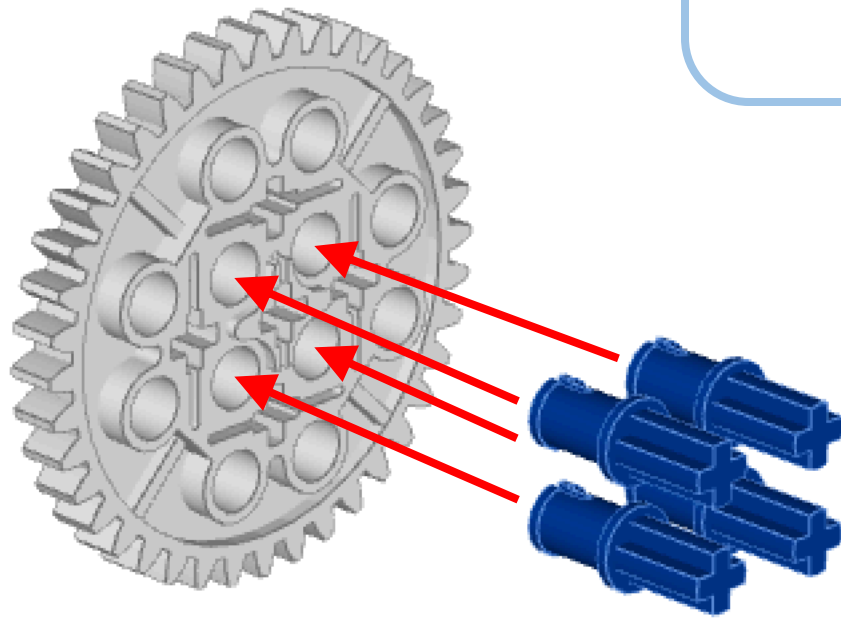
1x



4x



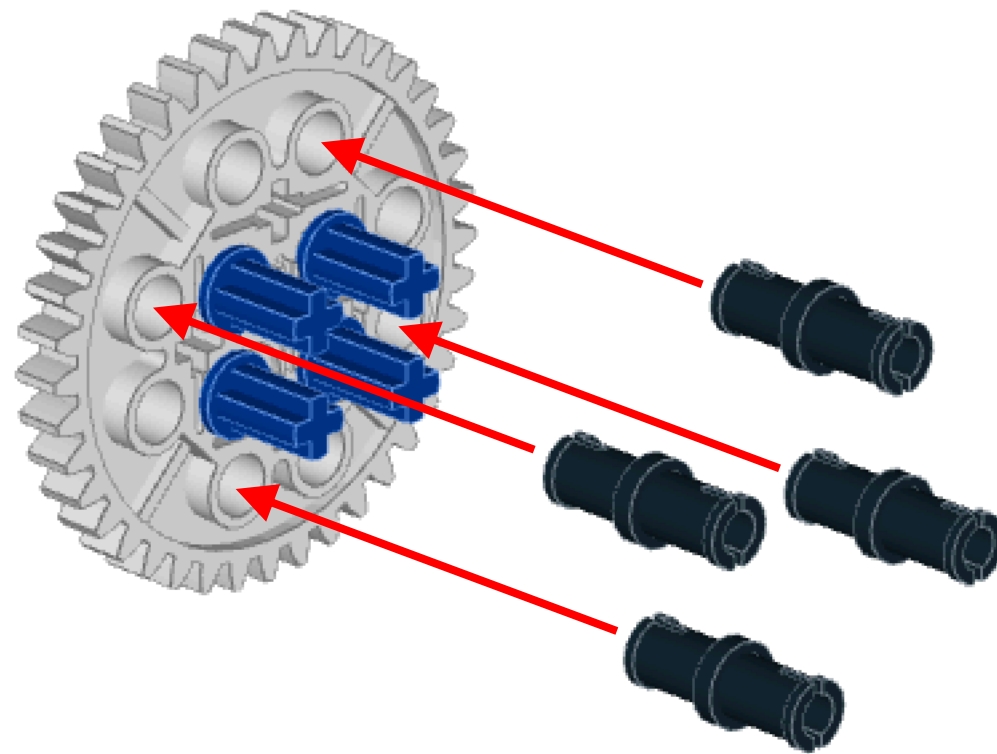
18





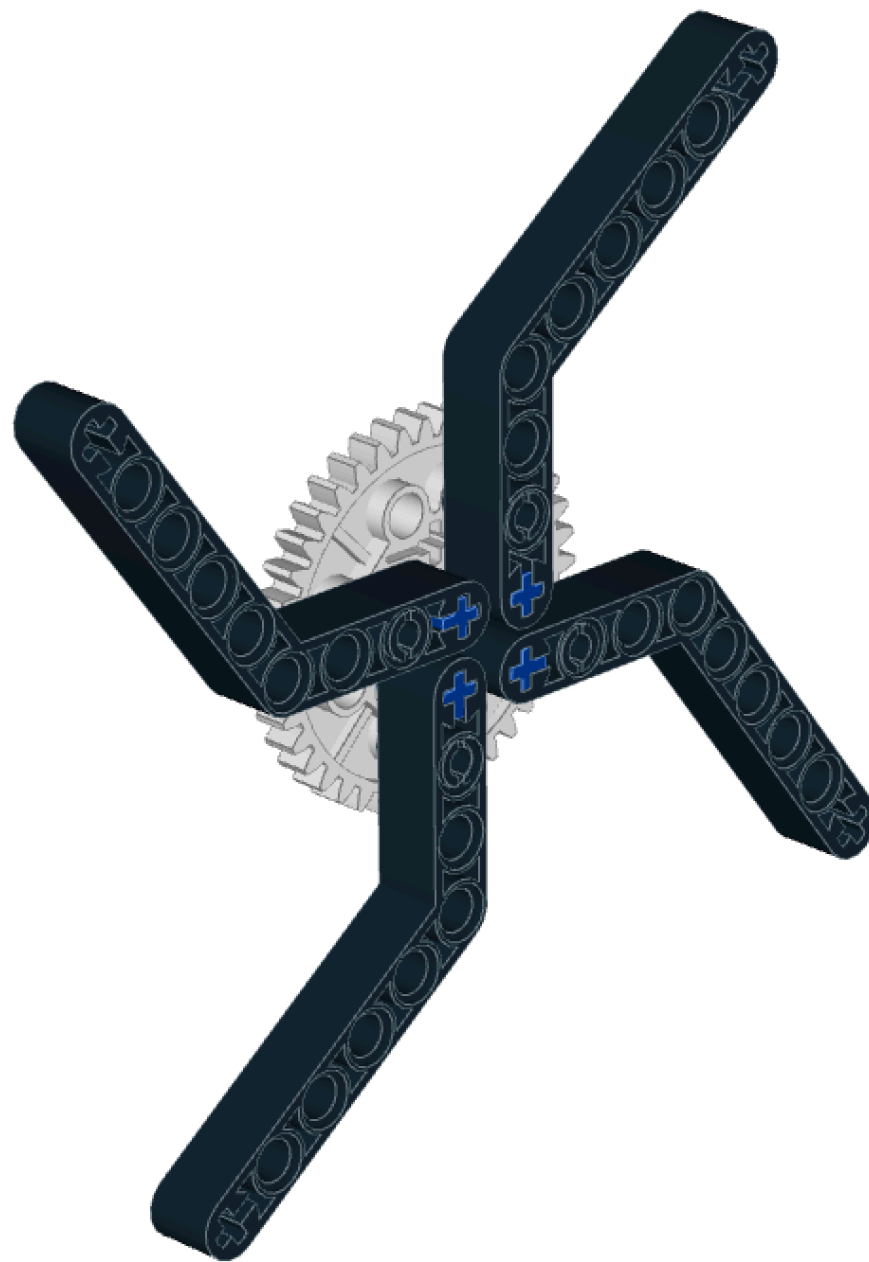
4x

19

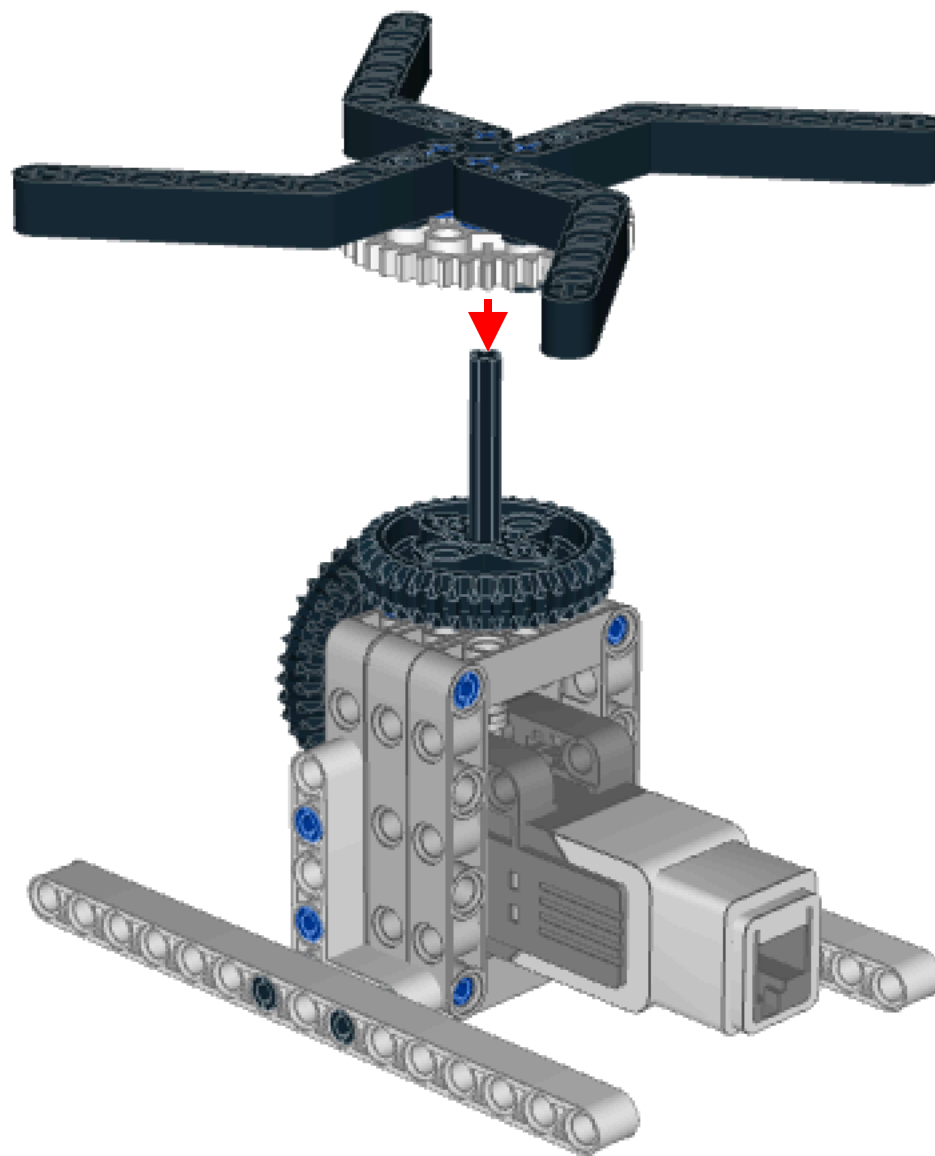


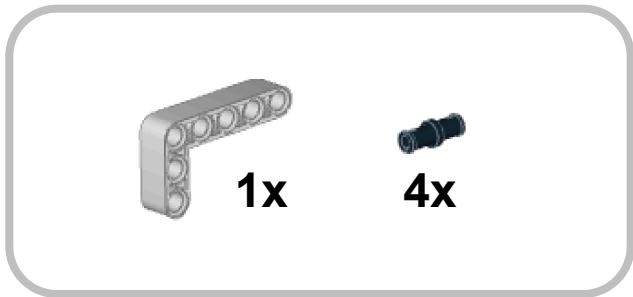


20

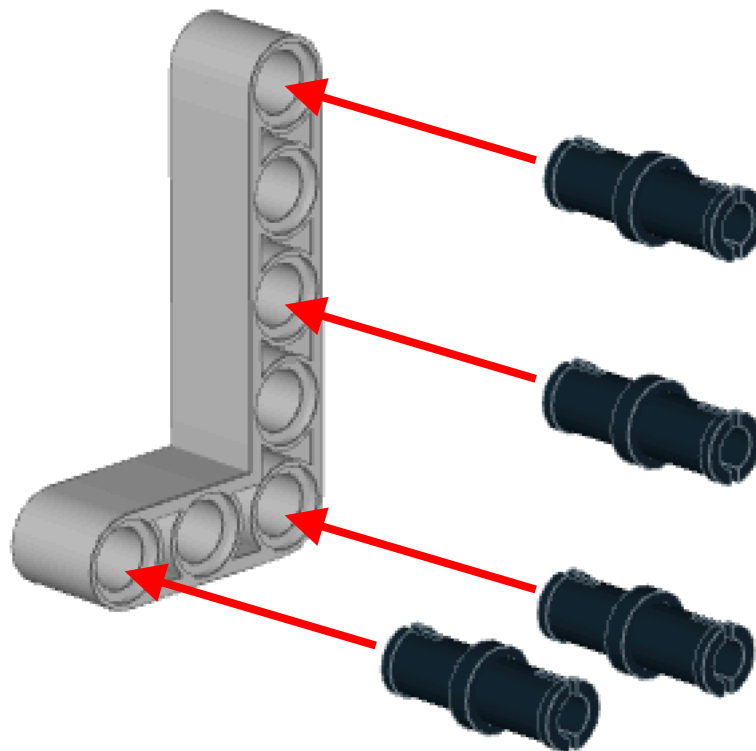
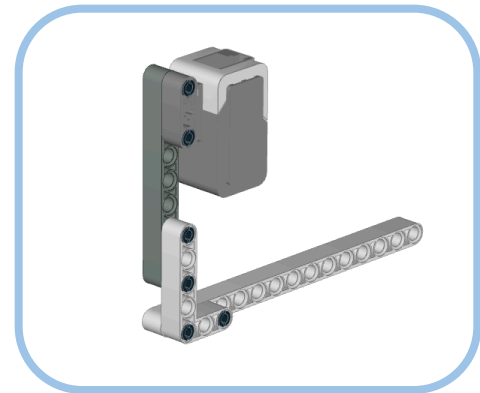


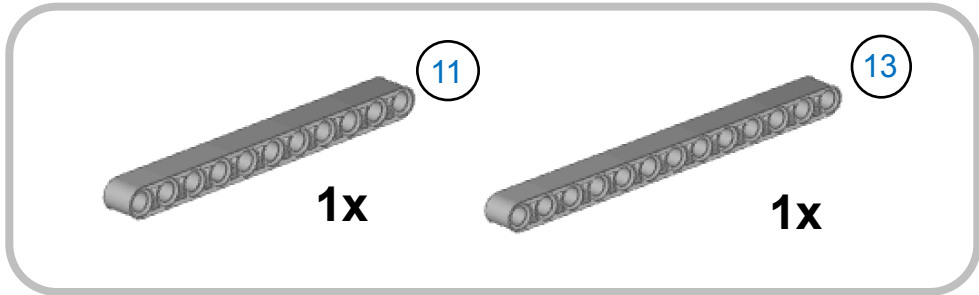
21



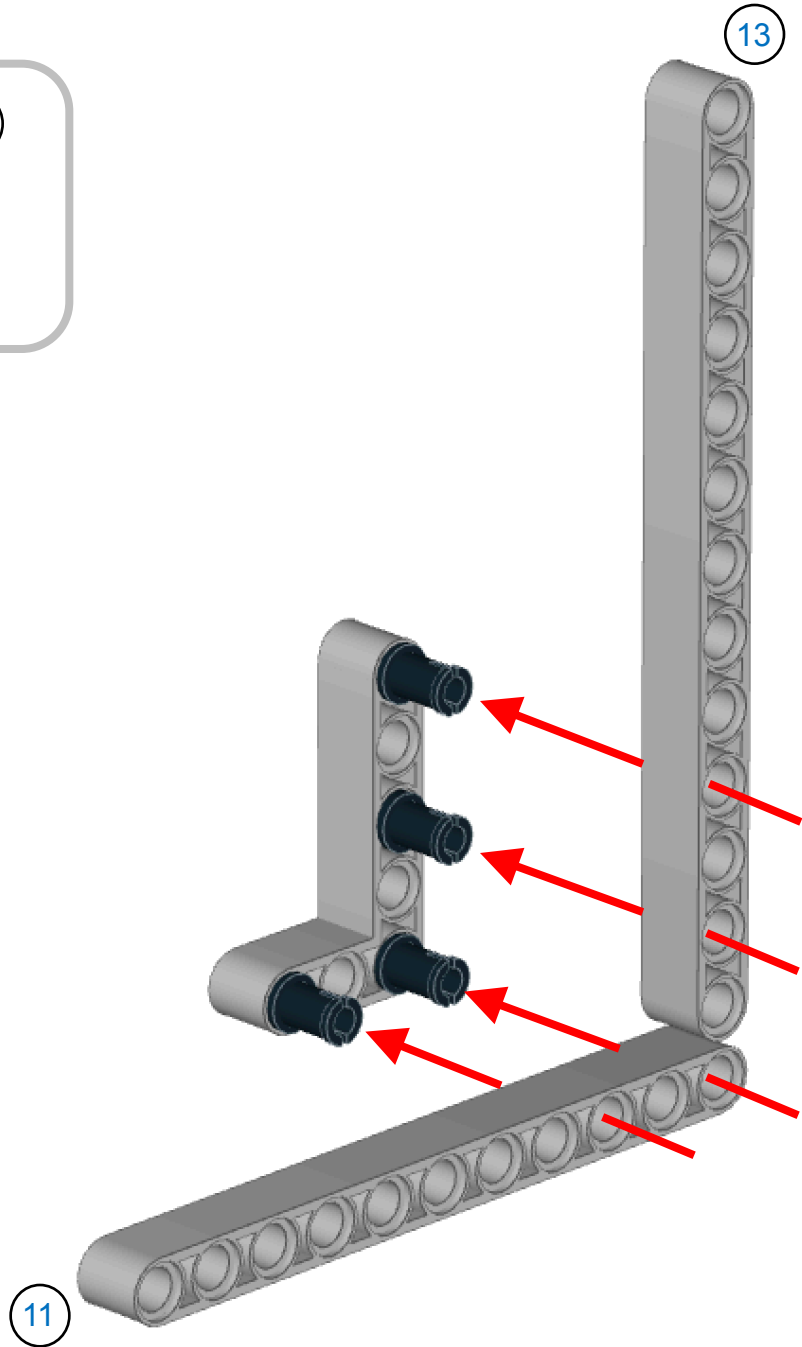


22



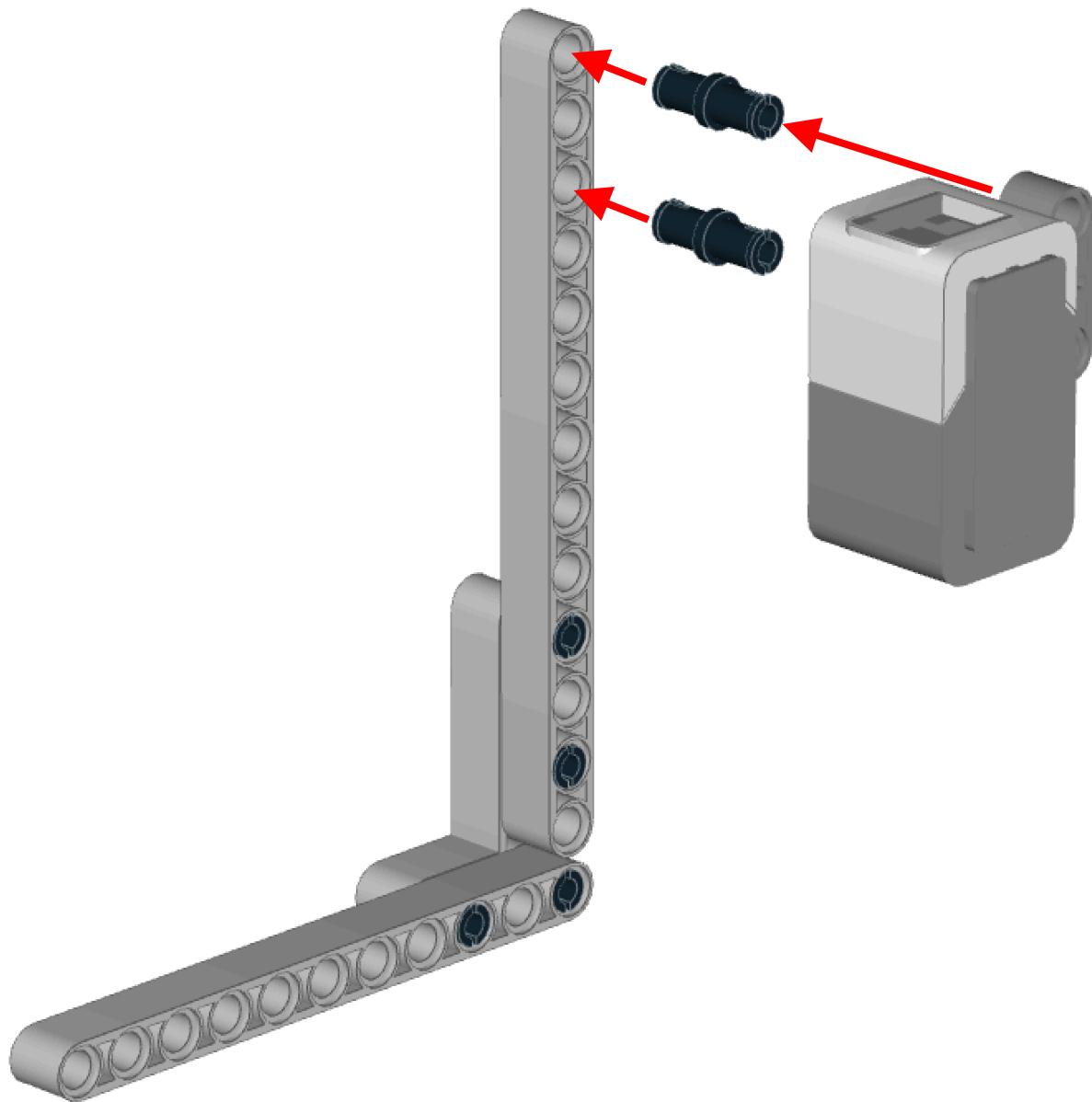


23





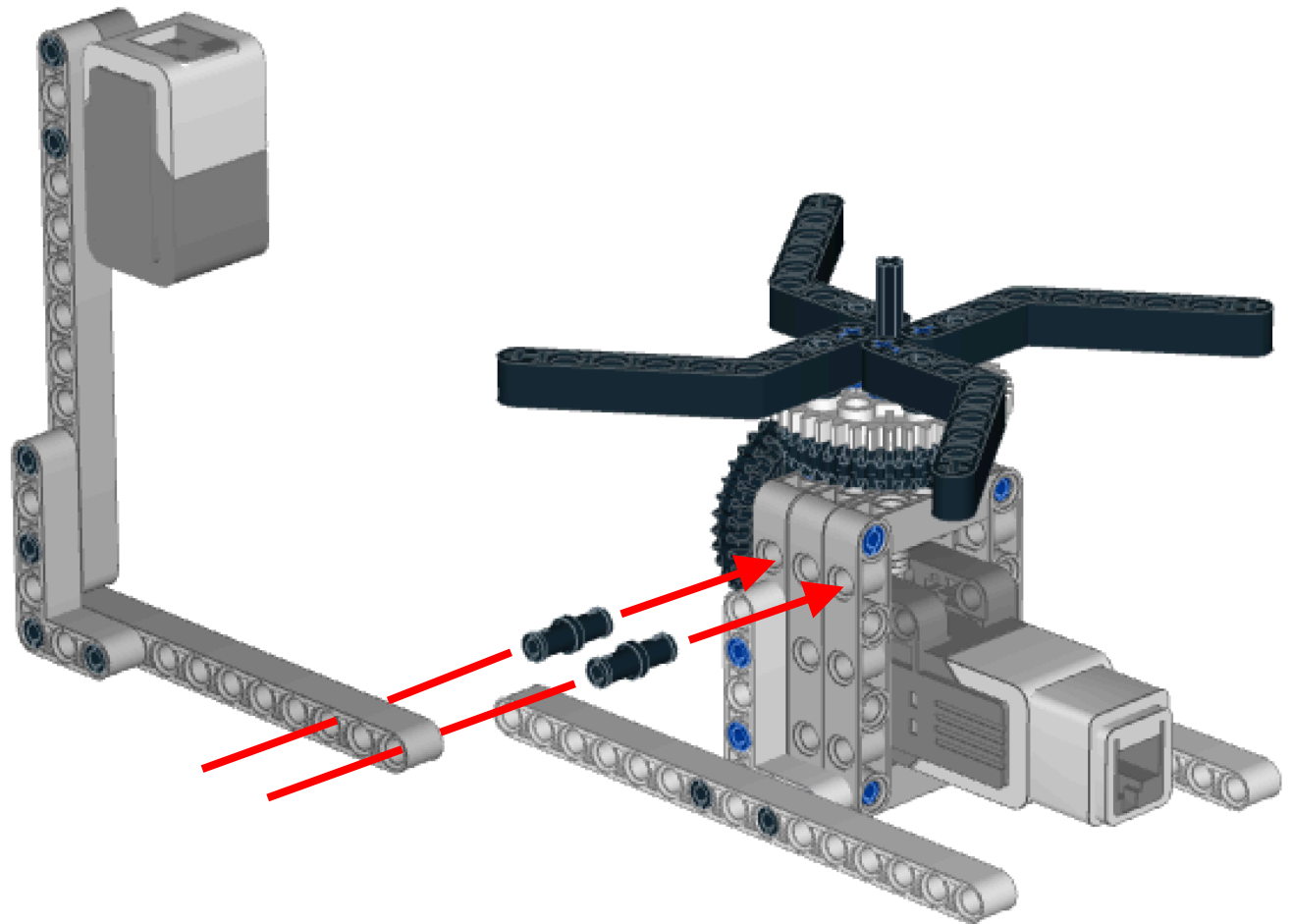
24



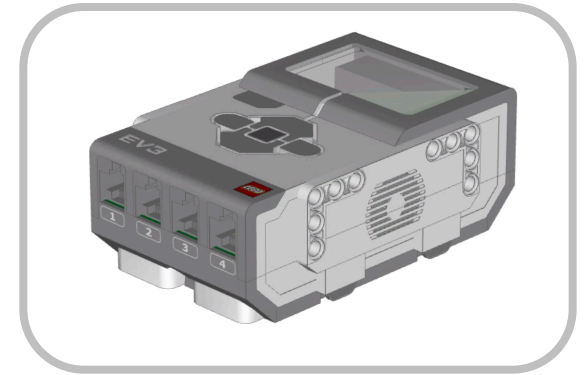
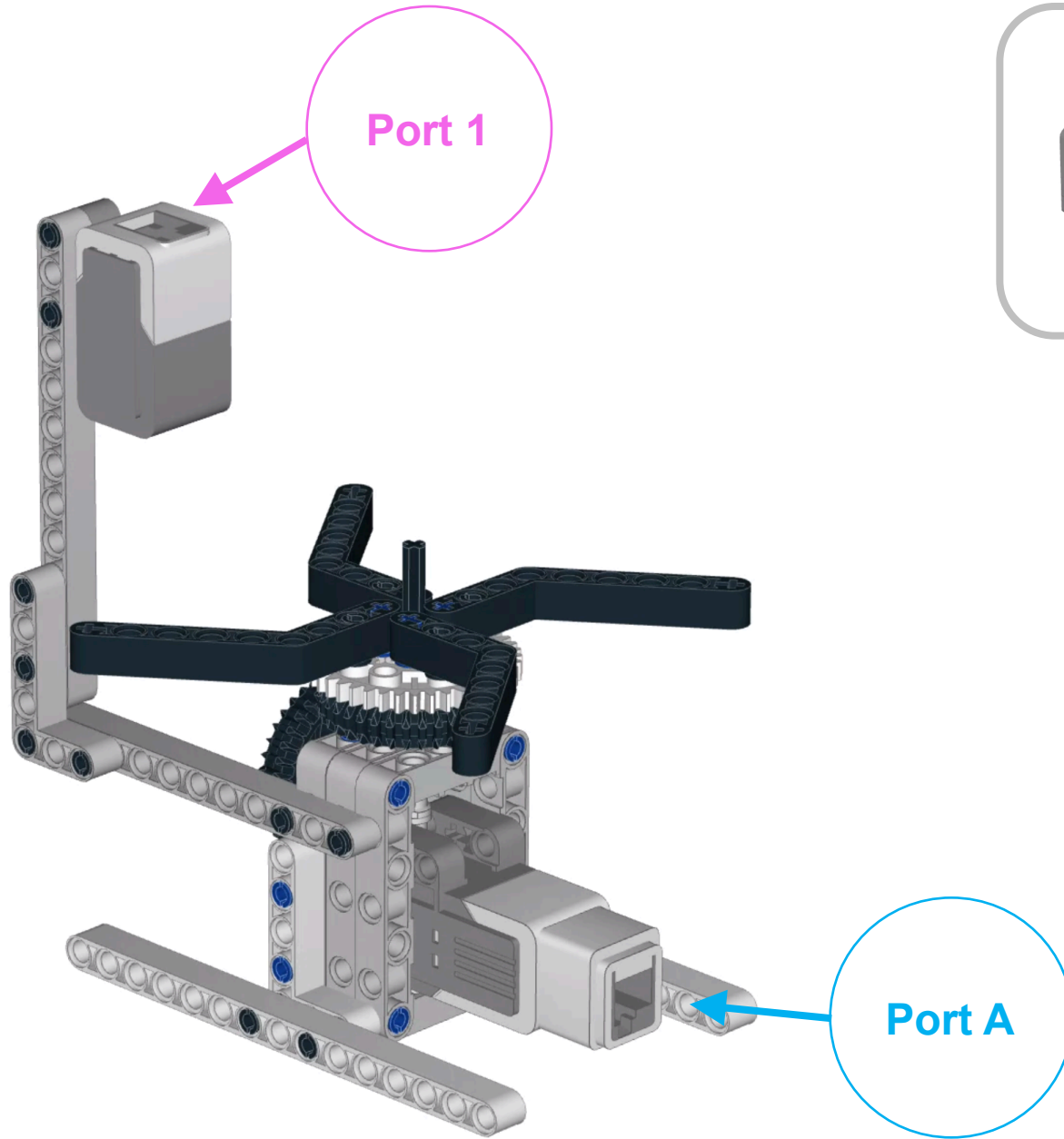


2x

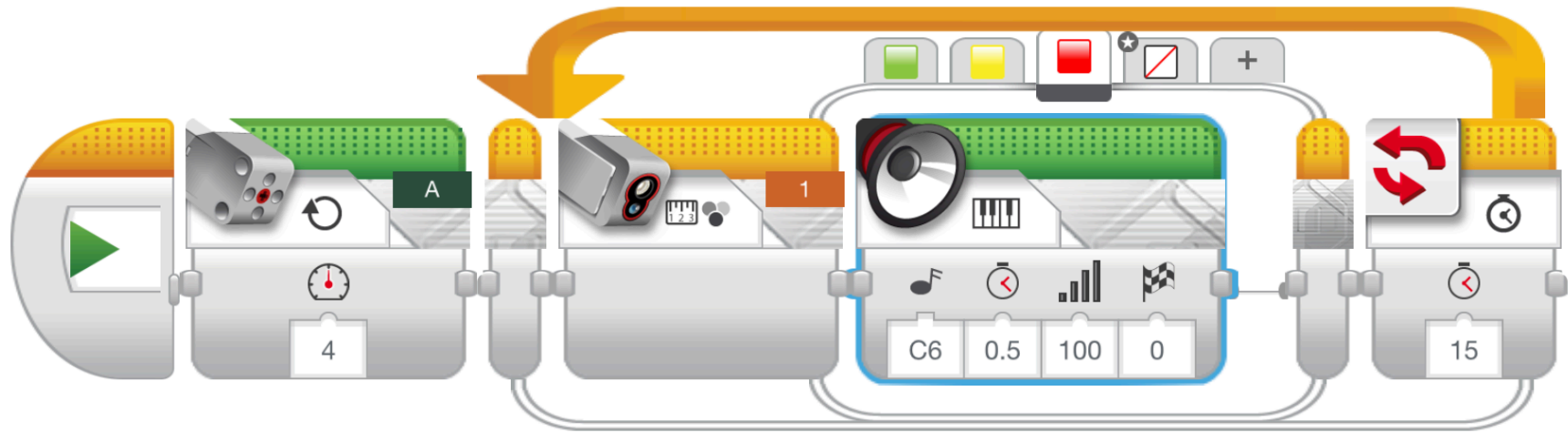
25



26

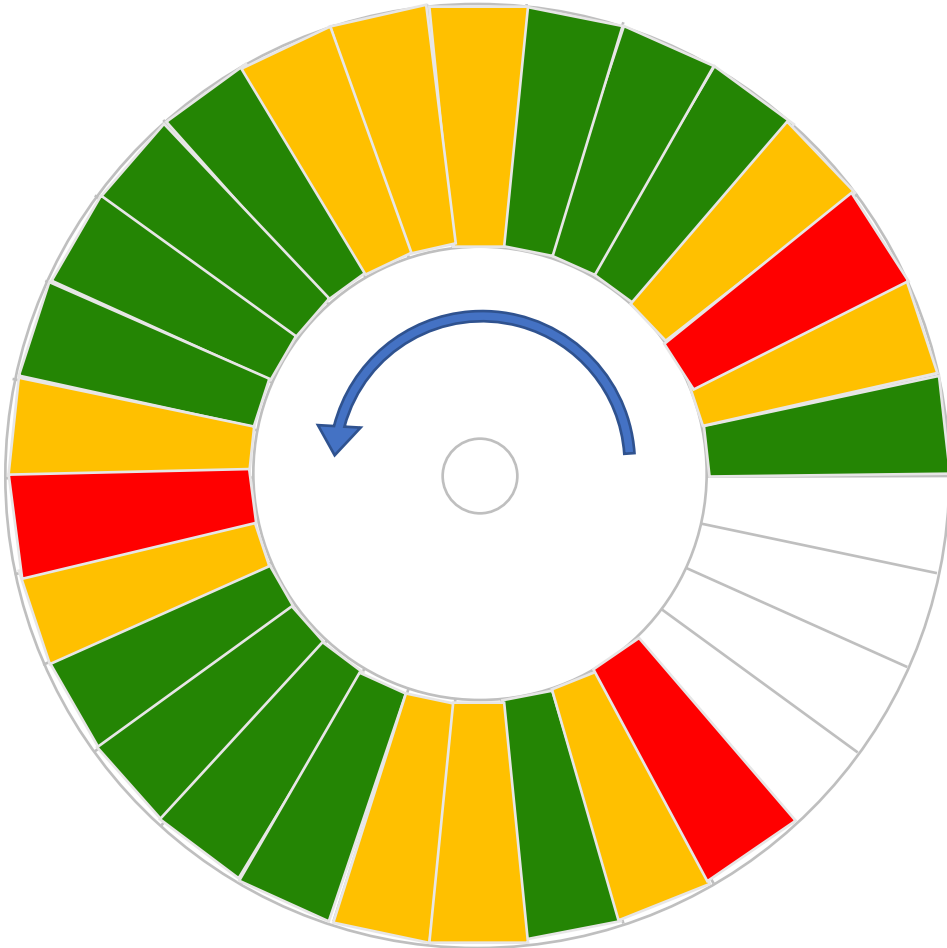


Example Program



* Don't forget to make a no color case that is the default case

Mary Had A Little Lamb



MA-RY HAD A LIT-TLE LAMB
E D C D E E E

LIT-TLE LAMB, LIT-TLE LAMB
D D D E E E

MA-RY HAD A LIT-TLE LAMB
E D C D E E E

ITS FLEECE WAS WHITE AS SNOW
E D D E D C

Blank Phonographs

